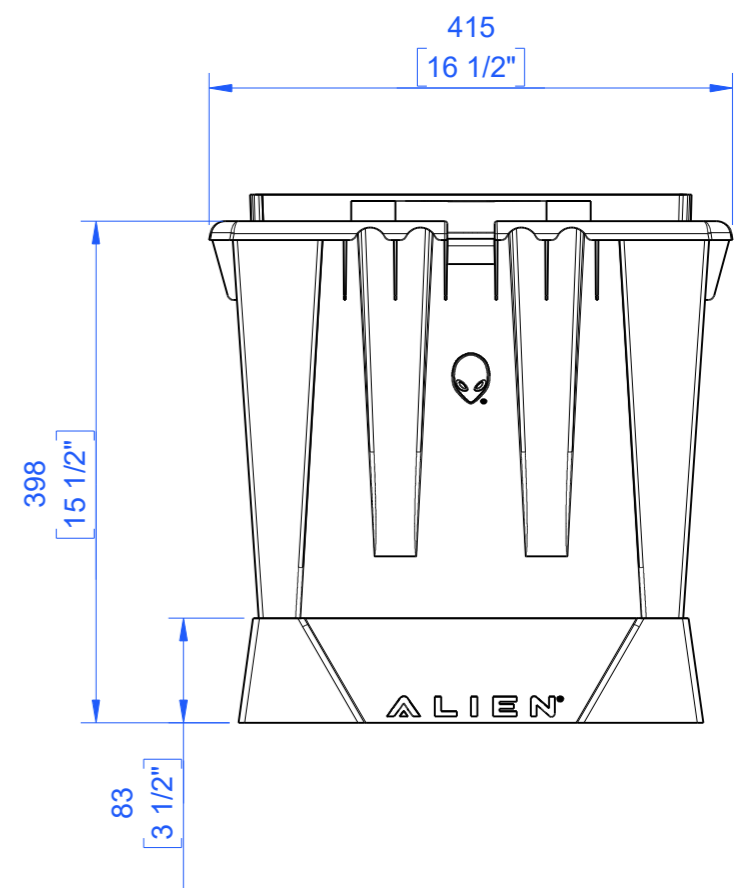
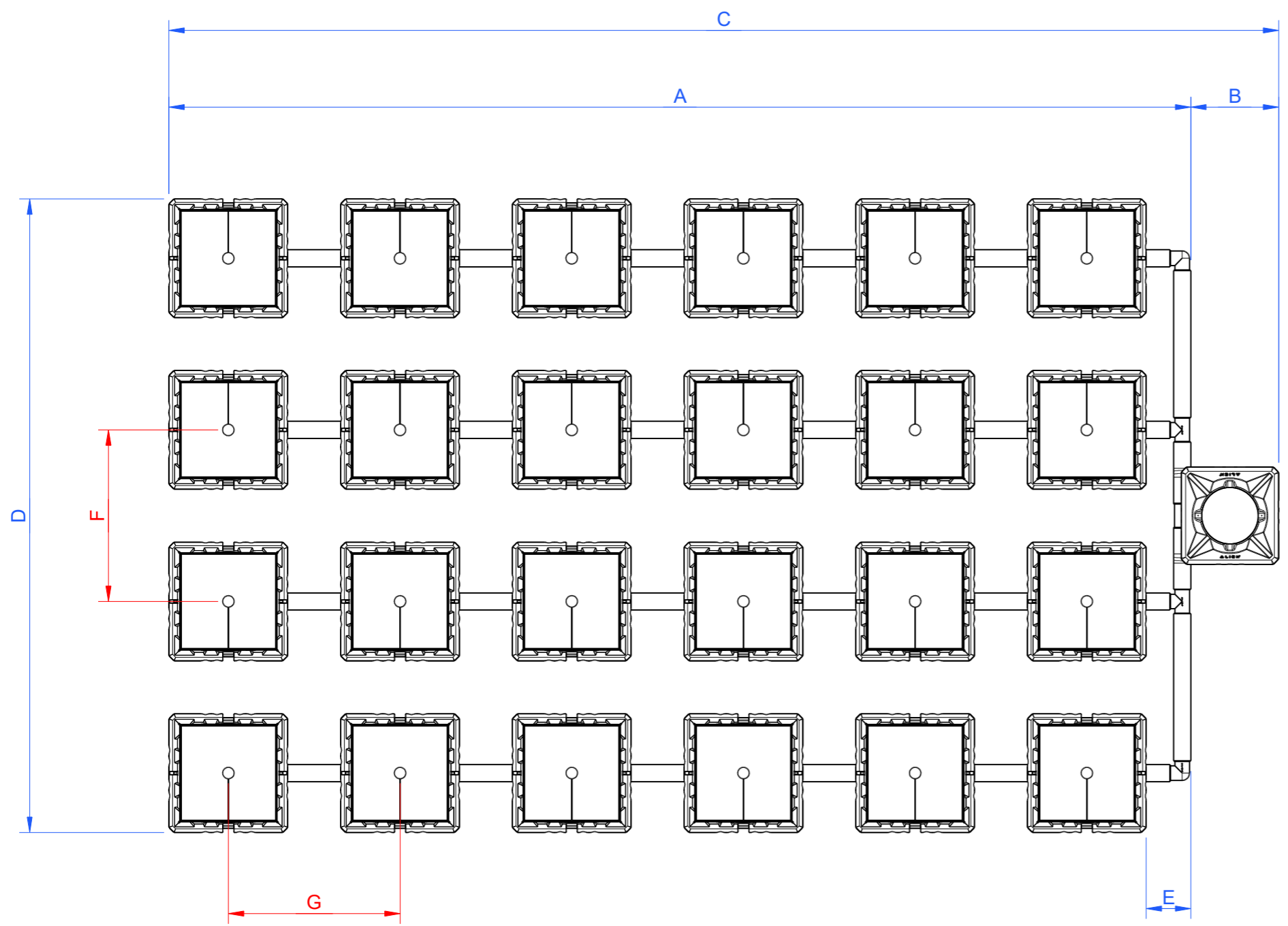


Rev	Date
A	06 / 01 / 2025



Water Pumps	Litres to Flood**	Recommended Tank Size
2 x JET-105W 4800 L/hr	332L	780L

Dimensions	Min (mm)	Min (inches)	Maximum (mm) @ 75cm Plant Centres*	Maximum (inches)
A	2529	100"	4735	186"
B	309	12"	309	12"
C	2838	112"	5044	199"
D	1663	65"	2665	105"
E	1043	1"	570	22"
F	416	16"	750	30"
G	416	16"	750	30"

Notes:
 * Plant centres greater than 75cm are possible with extra pipe. Please contact tech@alienhydroincs.co.uk (Uk and Europe) or sales@alienhydro.com (USA) for more details.

** Calculated with medium in pots.

	Project: Flood and Drain 2025	Scale 1 : 18
	Title: 30L 4 Row 24 Pot	
	Drawing Number: FD30-4.24	Sheet 1 of 1