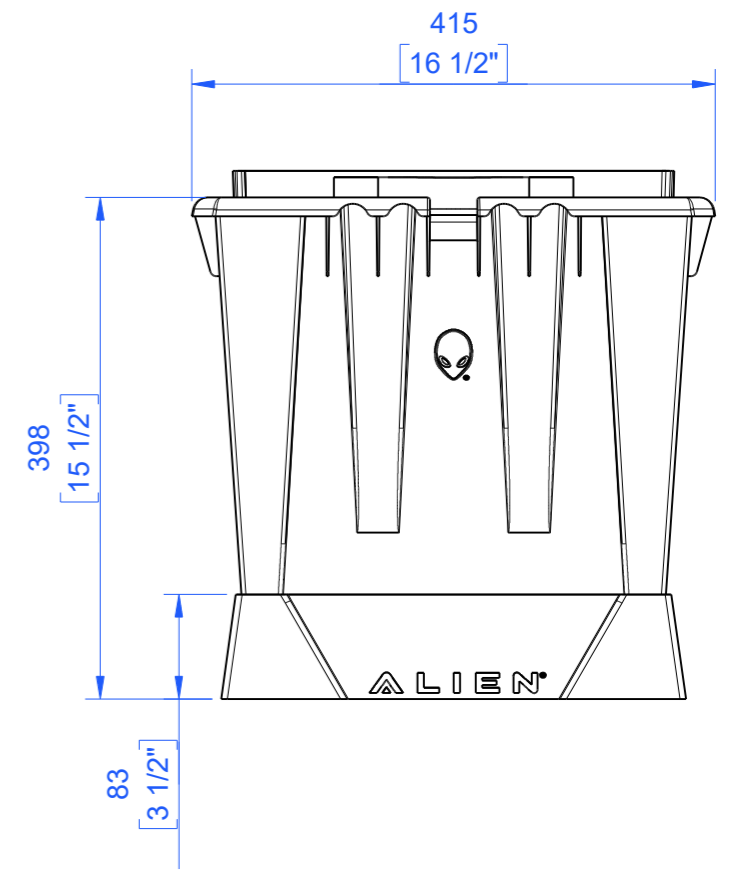
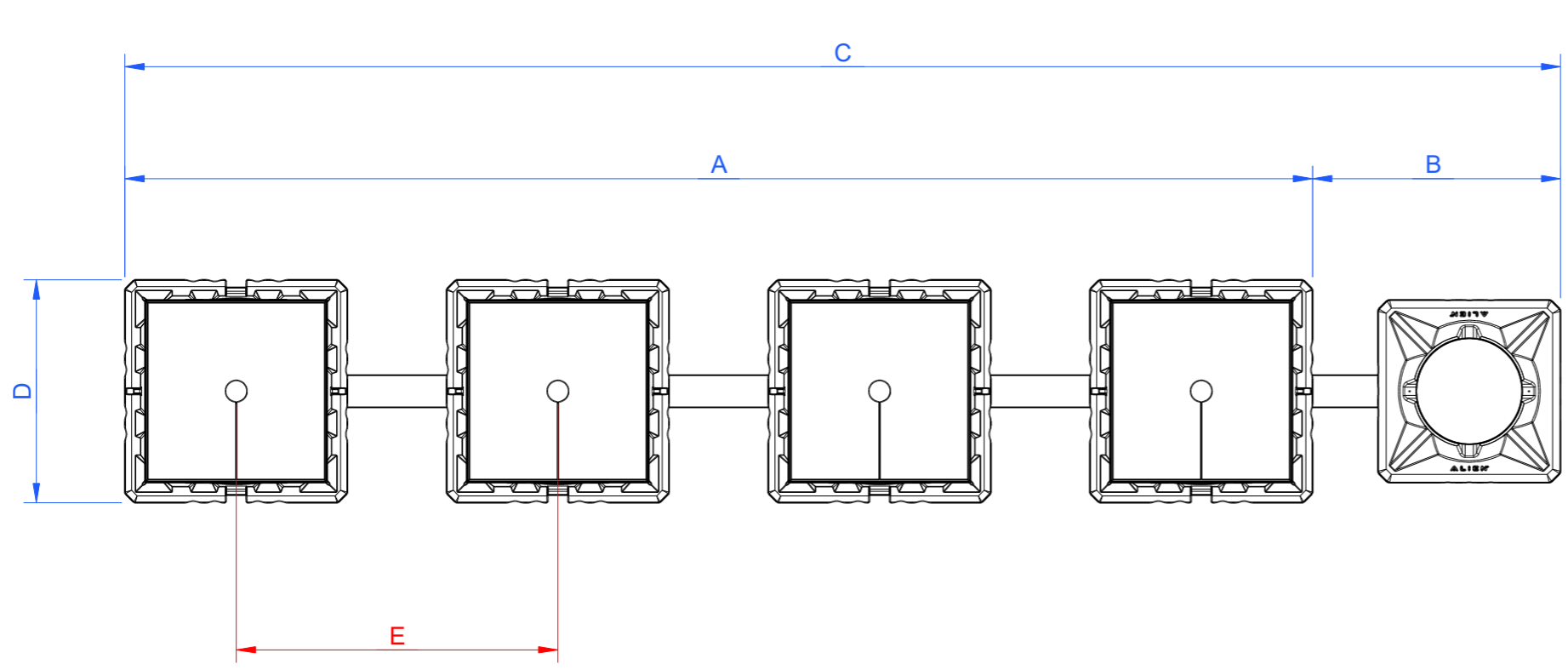


Rev	Date
A	06 / 01 / 2025



Water Pumps	Litres to Flood**	Recommended Tank Size
2 x JET-60W 3200 L/hr	72L	280L

Dimensions	Min (mm)	Min (inches)	Maximum (mm) @ 75cm Plant Centres*	Maximum (inches)
A	1663	65"	2665	105"
B	341	13"	800	31"
C	2004	79"	3465	107"
D	415	16"	415	16"
E	416	16"	750	30"

Notes:
 * Plant centres greater than 75cm are possible with extra pipe. Please contact tech@alienhydroincs.co.uk (Uk and Europe) or sales@alienhydro.com (USA) for more details.

** Calculated with medium in pots.

	Project: Flood and Drain 2025	Scale 1 : 12
	Title: 30L 1 Row 4 Pot	
	Drawing Number: FD30-1.4	Sheet 1 of 1