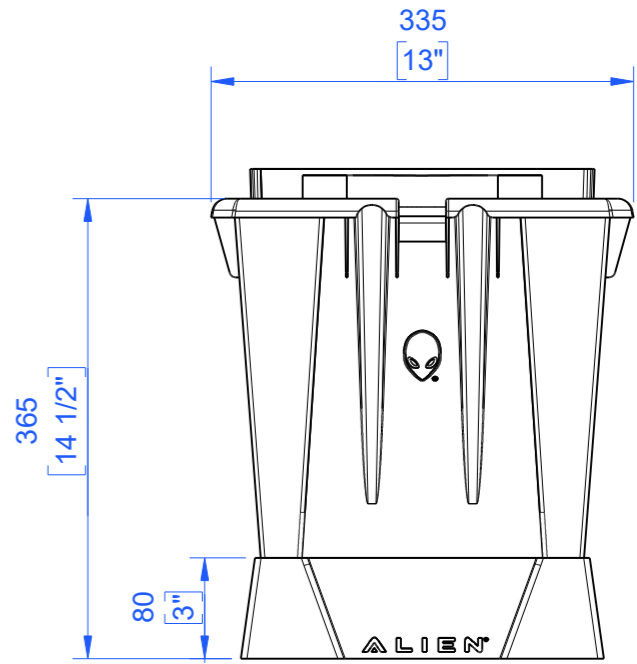
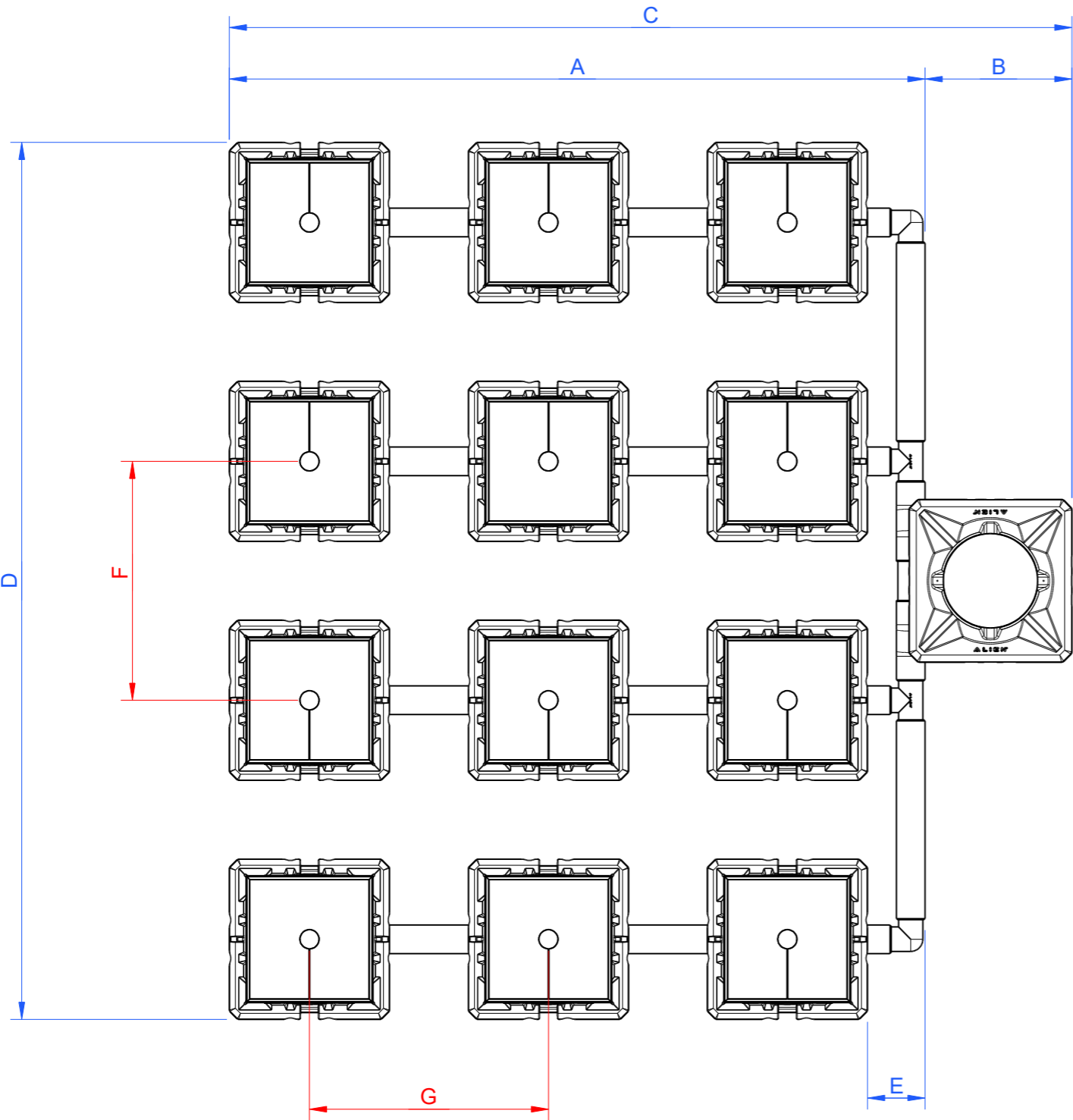


Rev	Date
A	11 / 12 / 2024



Water Pumps	Litres to Flood**	Recommended Tank Size
2 x JET-60W 3200 L/hr	104L	280L

Dimensions	Min (mm)	Min (inches)	Maximum (mm) @ 60cm Plant Centres*	Maximum (inches)
A	1058	42"	1912	75"
B	309	12"	309	12"
C	1367	54"	2221	87"
D	1384	54"	2135	84"
E	49	2"	377	15"
F	375	15"	600	24"
G	337	13"	600	24"

**Notes:**

\* Plant centres greater than 60cm are possible with extra pipe. Please contact [tech@alienhydroincs.co.uk](mailto:tech@alienhydroincs.co.uk) (Uk and Europe) or [sales@alienhydro.com](mailto:sales@alienhydro.com) (USA) for more details.

\*\* Calculated with medium in pots.

	Project: Flood and Drain 2025	Scale 1 : 12
	Title: <b>15L 4 Row 12 Pot</b>	
	Drawing Number: <b>FD15-4.12</b>	Sheet 1 of 1