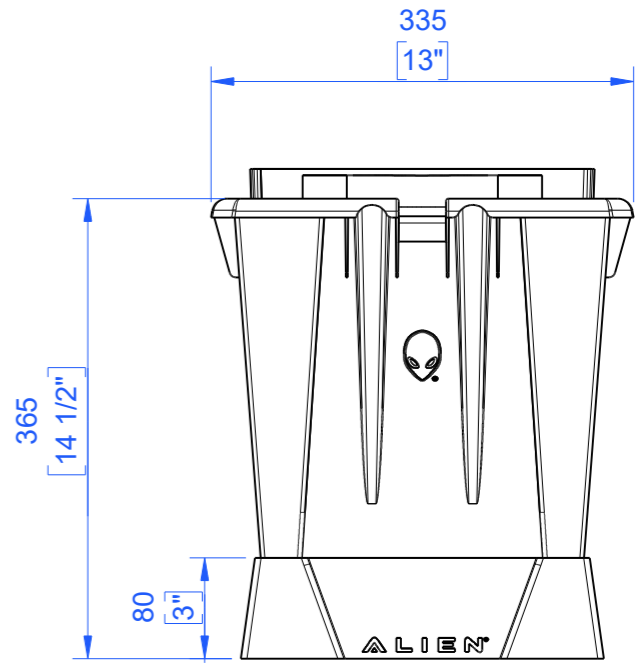
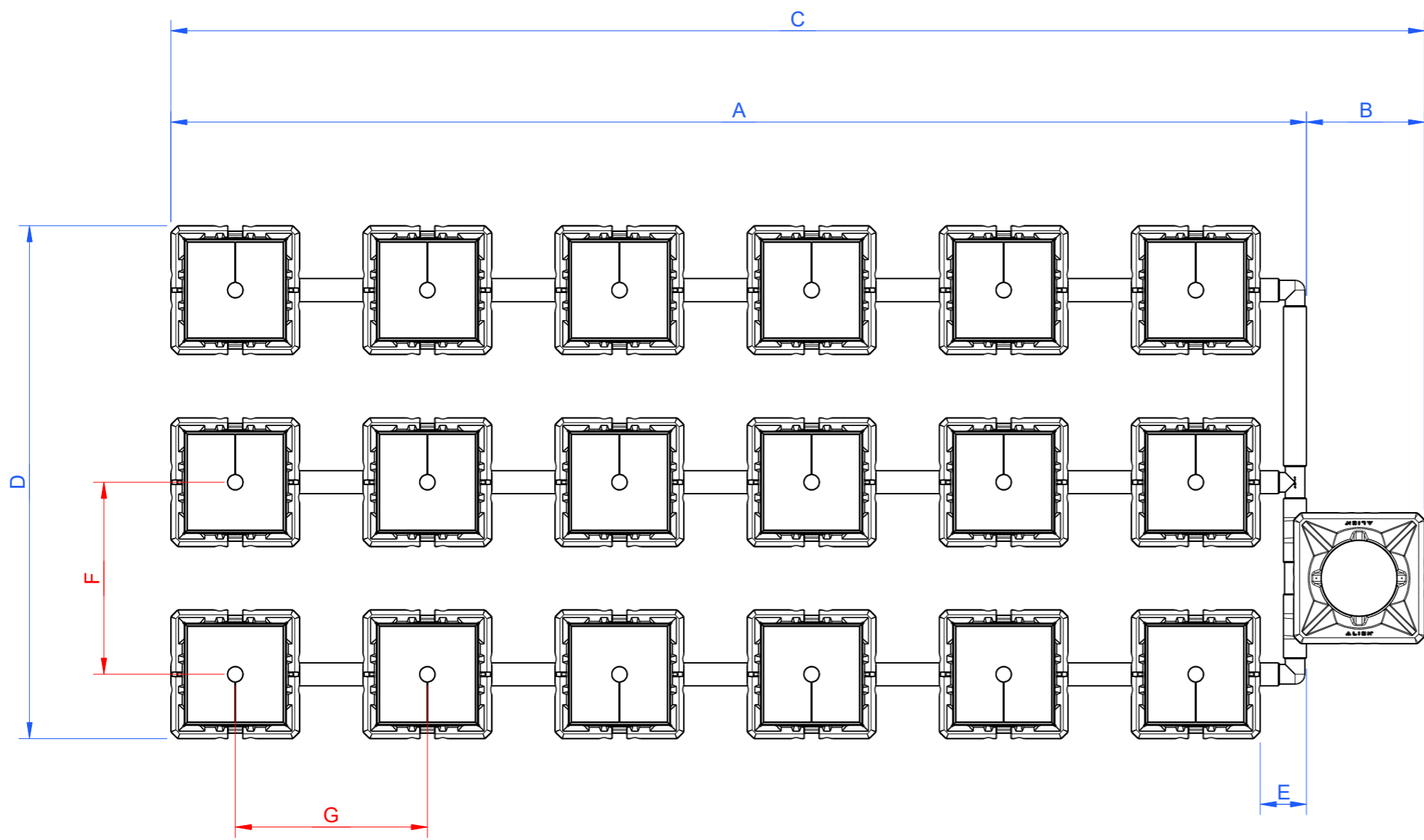


| | |
|-----|----------------|
| Rev | Date |
| A | 10 / 12 / 2024 |



| Water Pumps | Litres to Flood** | Recommended Tank Size |
|--------------------------|-------------------|-----------------------|
| 2 x JET-60W 3200 L/hr | 146L | 280L |

| Dimensions | Min (mm) | Min (inches) | Maximum (mm) @ 60cm Plant Centres* | Maximum (inches) |
|------------|----------|--------------|------------------------------------|------------------|
| A | 2069 | 81" | 3712 | 146" |
| B | 309 | 12" | 309 | 12" |
| C | 2378 | 94" | 4021 | 158" |
| D | 1047 | 41" | 1535 | 60" |
| E | 49 | 2" | 377 | 15" |
| F | 375 | 15" | 600 | 24" |
| G | 337 | 13" | 600 | 24" |

Notes:
 * Plant centres greater than 60cm are possible with extra pipe. Please contact tech@alienhydroincs.co.uk (Uk and Europe) or sales@alienhydro.com (USA) for more details.

** Calculated with medium in pots.

| | | |
|--|-------------------------------------|-----------------|
| | Project: Flood and Drain 2025 | Scale 1 : 14 |
| | Title: 15L 3 Row 18 Pot | |
| | Drawing Number: FD15-3.18 | Sheet 1 of 1 |