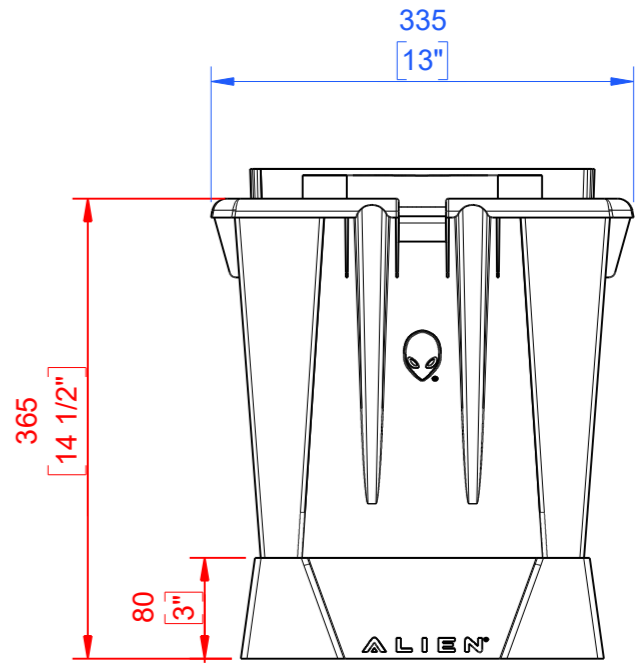
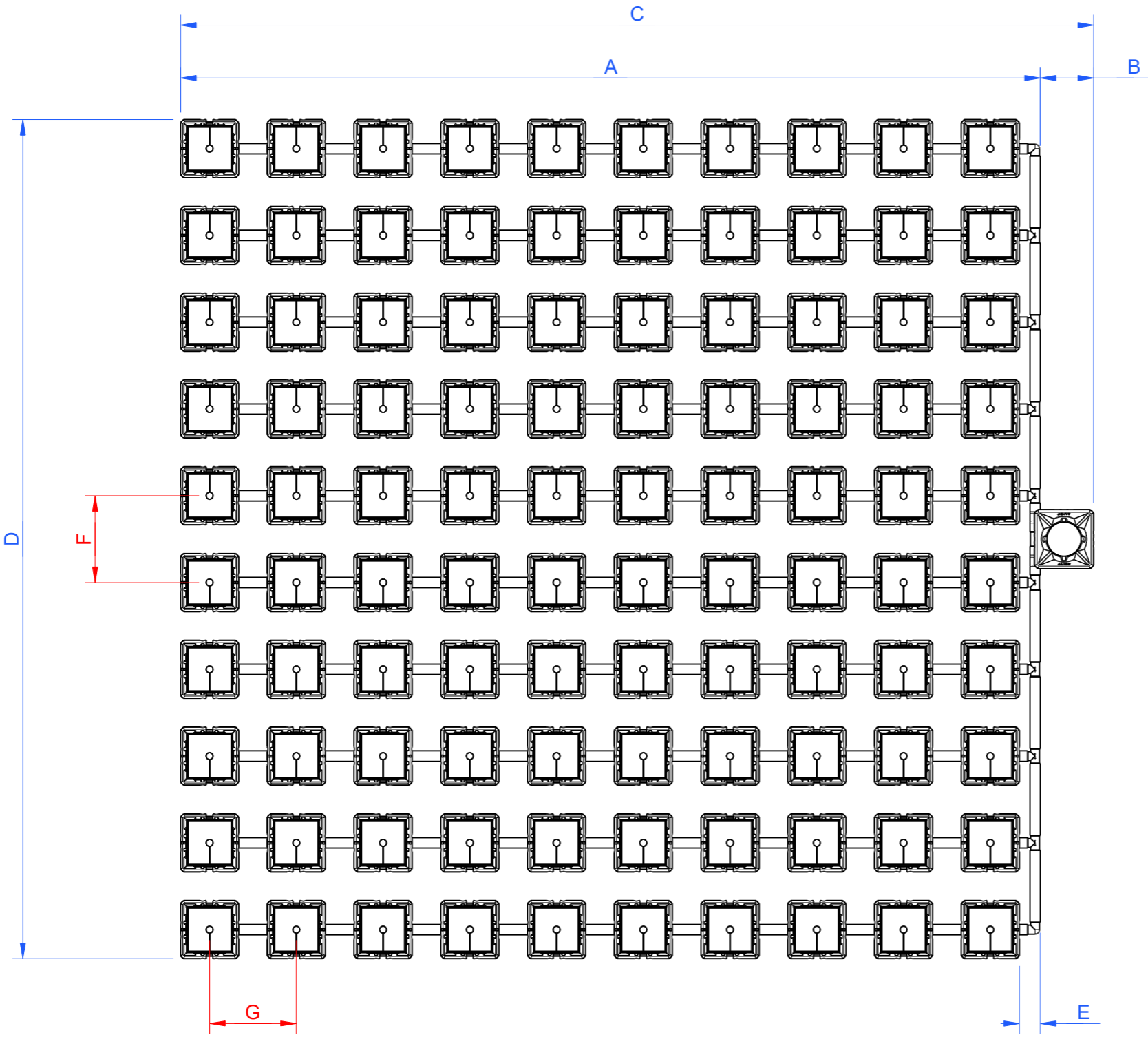


Rev	Date
A	06 / 01 / 2025



Water Pumps	Litres to Flood**	Recommended Tank Size
4 x JET-60W 3200 L/hr	730L	780L x 2

Dimensions	Min (mm)	Min (inches)	Maximum (mm) @ 60cm Plant Centres*	Maximum (inches)
A	3417	135"	6112	241"
B	309	12"	309	12"
C	3726	147"	6421	253"
D	3406	134"	5735	226"
E	49	2"	377	15"
F	375	15"	600	24"
G	337	13"	600	24"

Notes:
 * Plant centres greater than 60cm are possible with extra pipe. Please contact tech@alienhydroponics.co.uk (Uk and Europe) or sales@alienhydro.com (USA) for more details.

** Calculated with medium in pots.

	Project: Flood and Drain 2025	Scale 1 : 30
	Title: 15L 10 Row 100 Pot	
	Drawing Number: FD15-10.100	Sheet 1 of 1